

# Update on Fractal and OSGi

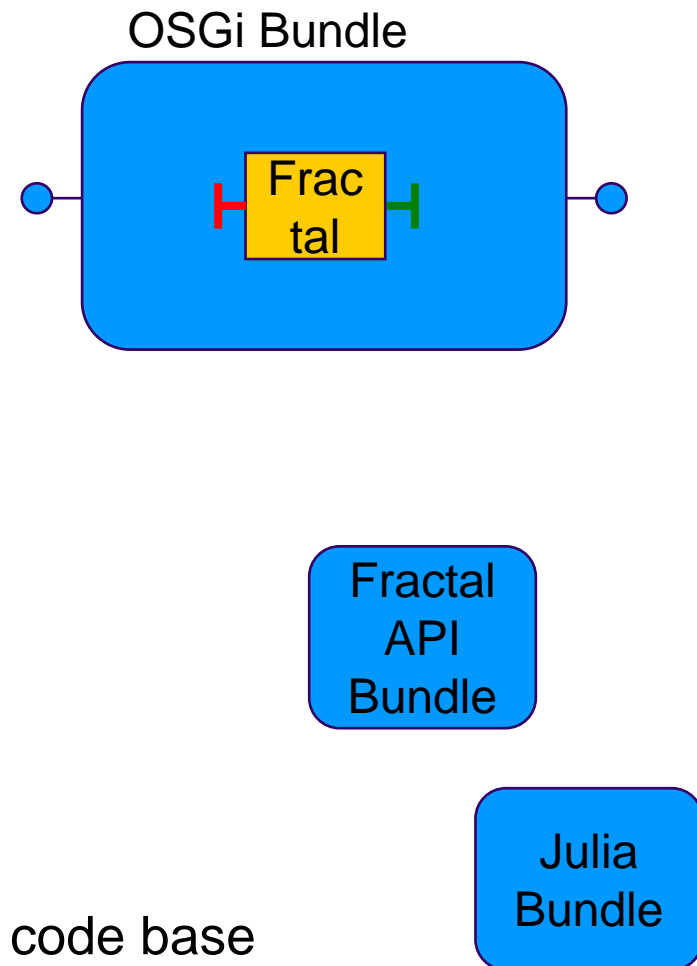
## OW2 TC Meeting

**9/29/2009**

Lionel Seinturier – INRIA ADAM

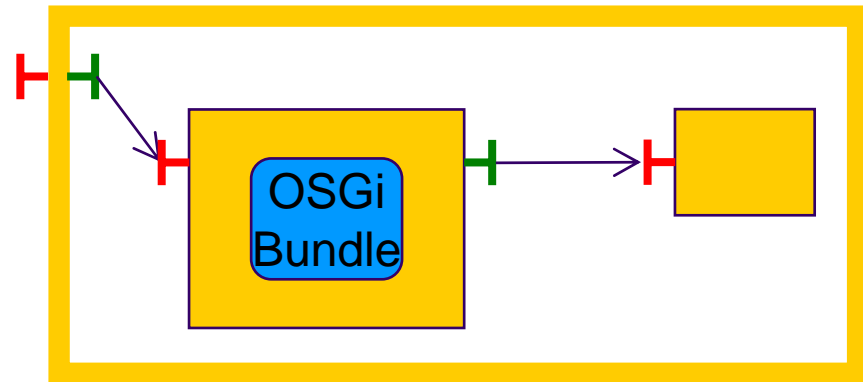
# Fractal embedded in OSGi

- Embedding a Fractal application in OSGi
- all services provided/required by the Fractal app are exposed as OSGi services
- glue code (membrane, interceptors) is pre-generated (with Juliac, no ASM)
- manifest file is generated
- code, glue code and manifest bundled
- Fractal/Julia shared library are bundled
- some examples are available in the Fractal code base



# OSGi assembled with Fractal

- Fractal component implemented by an OSGi bundle
- management of the bundle delegated to an underlying OSGi platform
  - Apache Felix supported
  - TODO list: Eclipse Equinox
- Fractal interceptor objects generated for bridging with OSGi services/references



# Fractal – OSGi

## Complementarity

- OSGi
  - component packaging, deployment
- Fractal
  - assembling, dependency injection (see iPOJO)
  - NF services management
  
- + diversity of component models (Spring, ...)
- put into perspective into the larger context of SOA
  
- emerging standard for component-based SOA
  - SCA
  - OW2 FraSCAti project ([frascati.ow2.org](http://frascati.ow2.org))

# SCA (Service Component Architecture)

- SCA (Service Component Architecture)

- a component model for SOA
- 11/2005

- Hosted by the Open SOA consortium

- <http://www.osoa.org>

- Standardised by OASIS

- <http://www.oasis-opencsa.org>

- Platform providers

- Open Source: Apache Tuscany, Fabric3, FraSCAti, Mule, Newton
- Vendors: IBM WebSphere FP for SOA, TIBCO ActiveMatrix, Covansys SCA Framework, Paremus, Newton, Rogue Wave HydraSCA, Oracle Fusion Middleware



